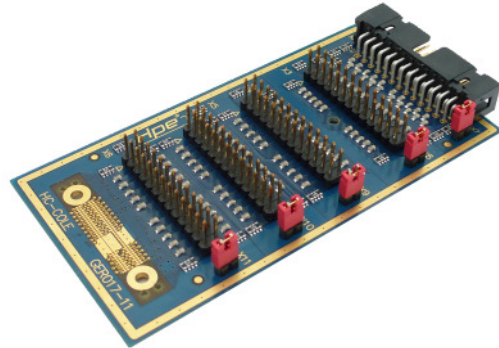


Connects the Hpe_midi to the outside

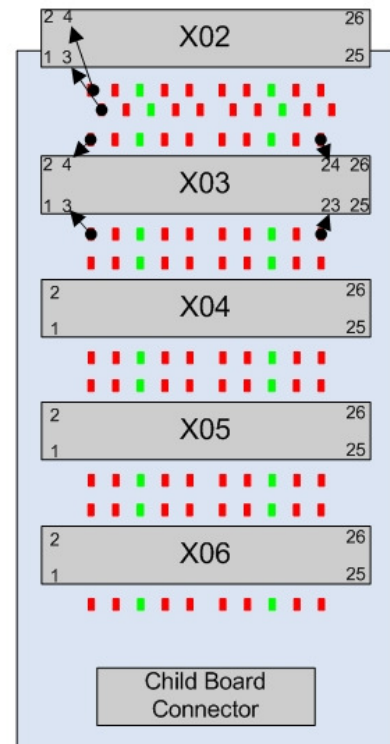
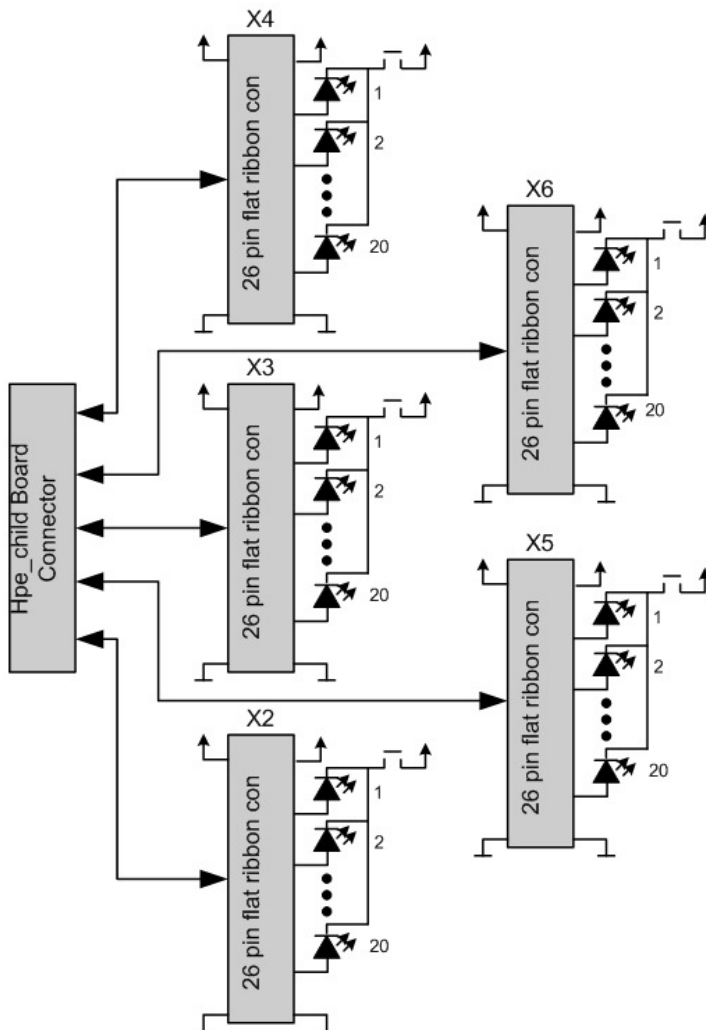
General Description:

HC-COLE is a connector board for 5 * 26 pin flat ribbon cables. One of the connectors is at the end of the board and not populated, because a hole in the rear panel is required. If you order the HC-COLE together with your Hpe_midi, you will get the populated connector and the modified rear panel for free.

Every pin is connected to a LED which shows the logic level. You can activate respectively 20 LED's together with a jumper.



Block Diagram:



Position of connectors and the related LED

Already prepared JTAG BCD files
on Hpe_midi data disk

Pin description:

| Flat ribbon connector X2 | | | |
|---------------------------------|------------|-------------------|------------|
| <i>CB Stecker</i> | <i>Pin</i> | <i>CB Stecker</i> | <i>Pin</i> |
| Vcc3V3 | 1 | Vcc3V3 | 2 |
| A1 | 3 | A2 | 4 |
| A3 | 5 | A4 | 6 |
| A5 | 7 | A6 | 8 |
| A7 | 9 | A8 | 10 |
| A9 | 11 | A10 | 12 |
| GND | 13 | GND | 14 |
| A11 | 15 | A12 | 16 |
| A13 | 17 | A14 | 18 |
| A15 | 19 | A16 | 20 |
| A17 | 21 | A18 | 22 |
| A19 | 23 | A20 | 24 |
| GND | 25 | GND | 26 |

| Flat ribbon connector X3 | | | |
|---------------------------------|------------|-------------------|------------|
| <i>CB Stecker</i> | <i>Pin</i> | <i>CB Stecker</i> | <i>Pin</i> |
| Vcc3V3 | 1 | Vcc3V3 | 2 |
| A21 | 3 | A22 | 4 |
| A23 | 5 | A24 | 6 |
| A25 | 7 | A26 | 8 |
| A27 | 9 | A28 | 10 |
| A29 | 11 | A30 | 12 |
| GND | 13 | GND | 14 |
| A31 | 15 | A32 | 16 |
| B1 | 17 | B2 | 18 |
| B3 | 19 | B4 | 20 |
| B5 | 21 | B6 | 22 |
| B7 | 23 | B8 | 24 |
| GND | 25 | GND | 26 |

| Flat ribbon connector X4 | | | |
|---------------------------------|------------|-------------------|------------|
| <i>CB Stecker</i> | <i>Pin</i> | <i>CB Stecker</i> | <i>Pin</i> |
| Vcc3V3 | 1 | Vcc3V3 | 2 |
| B9 | 3 | B10 | 4 |
| B11 | 5 | B12 | 6 |
| B13 | 7 | B14 | 8 |
| B15 | 9 | B16 | 10 |
| B17 | 11 | B18 | 12 |
| GND | 13 | GND | 14 |
| B19 | 15 | B20 | 16 |
| B21 | 17 | B22 | 18 |
| B23 | 19 | B24 | 20 |
| B25 | 21 | B26 | 22 |
| B27 | 23 | B28 | 24 |
| GND | 25 | GND | 26 |

| Flat ribbon connector X5 | | | |
|---------------------------------|------------|-------------------|------------|
| <i>CB Stecker</i> | <i>Pin</i> | <i>CB Stecker</i> | <i>Pin</i> |
| Vcc3V3 | 1 | Vcc3V3 | 2 |
| B29 | 3 | B30 | 4 |
| B31 | 5 | B32 | 6 |
| A53 | 7 | A54 | 8 |
| A55 | 9 | A56 | 10 |
| A57 | 11 | A58 | 12 |
| GND | 13 | GND | 14 |
| A59 | 15 | A60 | 16 |
| A61 | 17 | A62 | 18 |
| A63 | 19 | A64 | 20 |
| A65 | 21 | A66 | 22 |
| NC | 23 | B34 | 24 |
| GND | 25 | GND | 26 |

| Flat ribbon connector X6 | | | |
|---------------------------------|------------|-------------------|------------|
| <i>CB Stecker</i> | <i>Pin</i> | <i>CB Stecker</i> | <i>Pin</i> |
| Vcc3V3 | 1 | Vcc3V3 | 2 |
| A49 | 3 | A50 | 4 |
| B49 | 5 | B50 | 6 |
| B51 | 7 | B52 | 8 |
| B53 | 9 | B54 | 10 |
| B55 | 11 | B56 | 12 |
| GND | 13 | GND | 14 |
| B57 | 15 | B58 | 16 |
| B59 | 17 | B60 | 18 |
| B61 | 19 | B62 | 20 |
| B63 | 21 | B64 | 22 |
| B65 | 23 | B66 | 24 |
| GND | 25 | GND | 26 |

Copyright Notice

This document is copyrighted 2007 by Gleichmann Electronics Research (Austria) GmbH & Co KG. All rights are reserved. Gleichmann Electronics Research (Austria) GmbH & Co KG reserves the right to make improvements to the products described in this manual at any time without notice. No part of this data sheet may be reproduced, copied, translated or transmitted in any form or by any means without the prior written permission of GE Research.